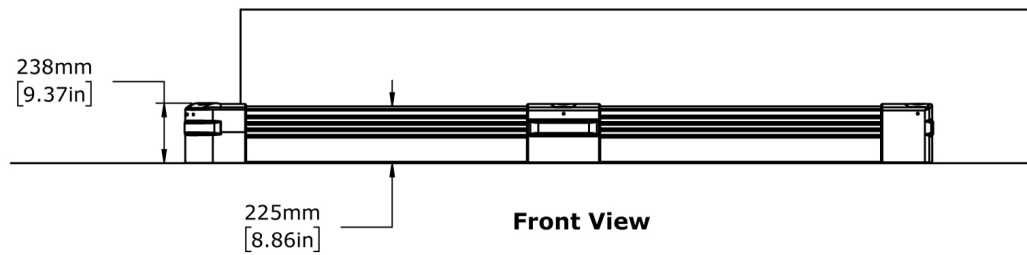
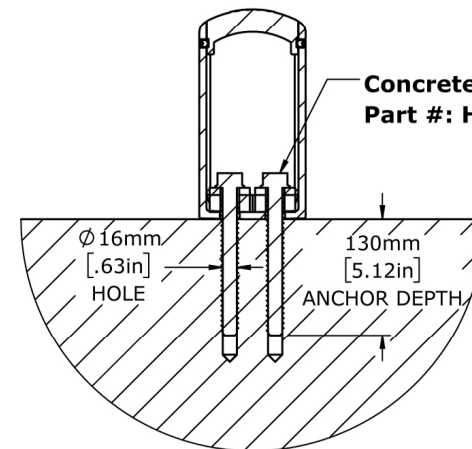
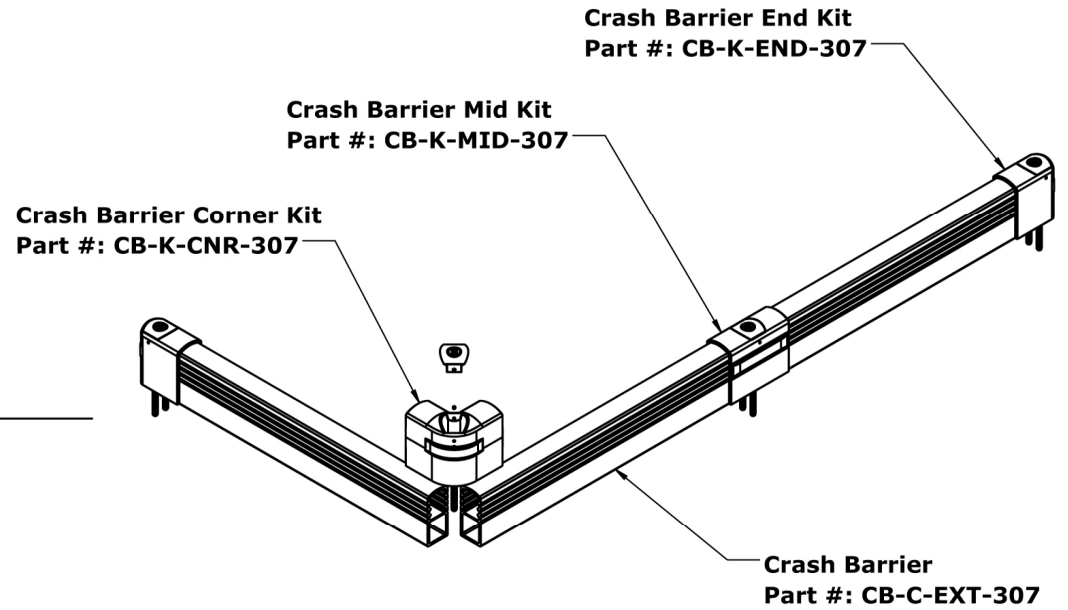


**Top View**



**Front View**



**Fixing Detail**

**Crash Barrier  
 Customer Drawing**